

# OLS-D RIGID

OPTICAL LAY-UP STATION  
(DUAL)

Member of the

**DATAALIGN™**  
SERIES OF EQUIPMENT



85 HOFFMAN LANE, SUITE Q  
ISLANDIA, NY 11749 USA  
+1 (631) 851-0102  
DISTECHNOLOGY.COM

The Optical Lay-up Station Dual (OLS-D), is a fully automated system including panel setup to loading & unloading of the material. Some key features include automated weld bars and heads for various panel sizes and welding positions. This system is designed for larger volume shops, it has dual welding stations for maximum throughput, meaning as one panel is being welded as the other panel is being aligned.

All OLS systems come standard with SmartWeld™ Induction Technology coupled with Optical Alignment. These two technologies eliminate mechanical tooling and improve process flexibility by decreasing operational cycle times and reducing operating costs while delivering better layer to layer registration than conventional pin systems.

The OLS-D with Optical Alignment system is a fully automated inner layer and positioning system which sequentially aligns and clamps multi-layer PCB's together. SmartWeld™ Induction Technology then welds the aligned multi-layer boards together, which ensures the accuracy of the registration is secured at several points on the border of the panel.

Other key features to aid with registration accuracy are Barcode Scanners for mistake proofing lay-up, as well as thickness measurement for Inner Layer and Prepreg thickness verification.



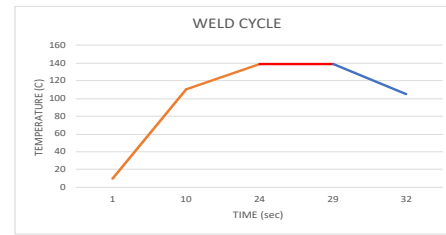
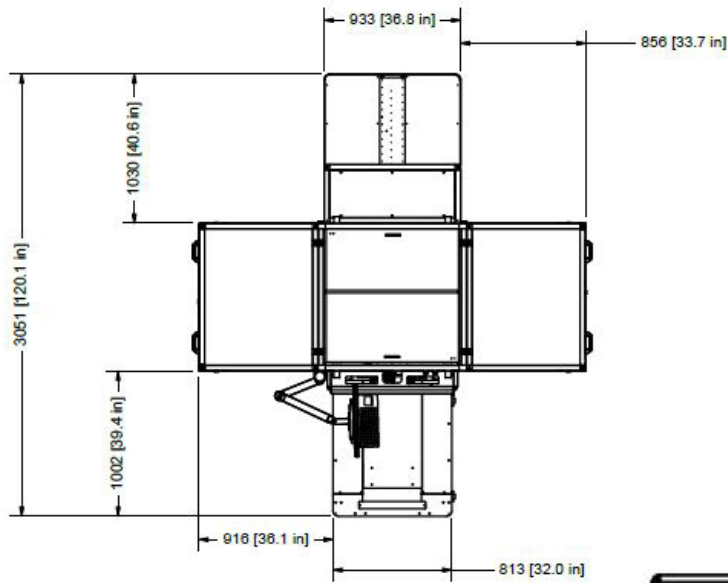
Shown with optional WPS Stacker

## PROCESSING CAPABILITIES

- Minimum: 12" x 14"  
305mm x 355mm
- Maximum: 24" x 30"  
610mm x 762mm
- Easily align thin cores (1mil-25 µm)
- +/- 12 µm alignment tolerance or better
- Maximum Weld Thickness
  - 8mm
- Maximum Weld Temperature
  - 300 °C

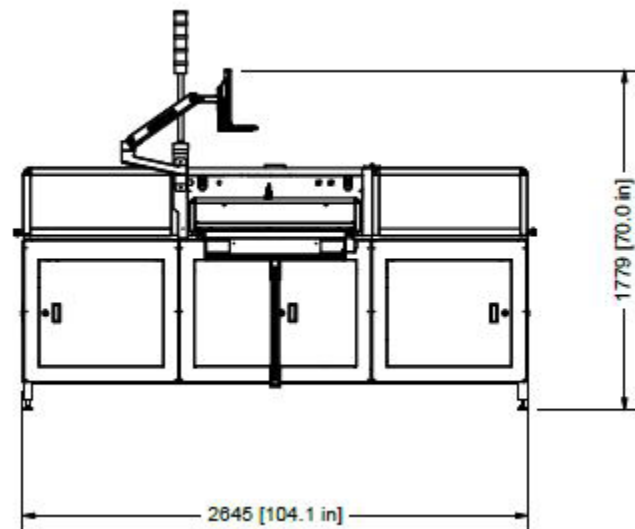
# FOOTPRINT

## TOP VIEW

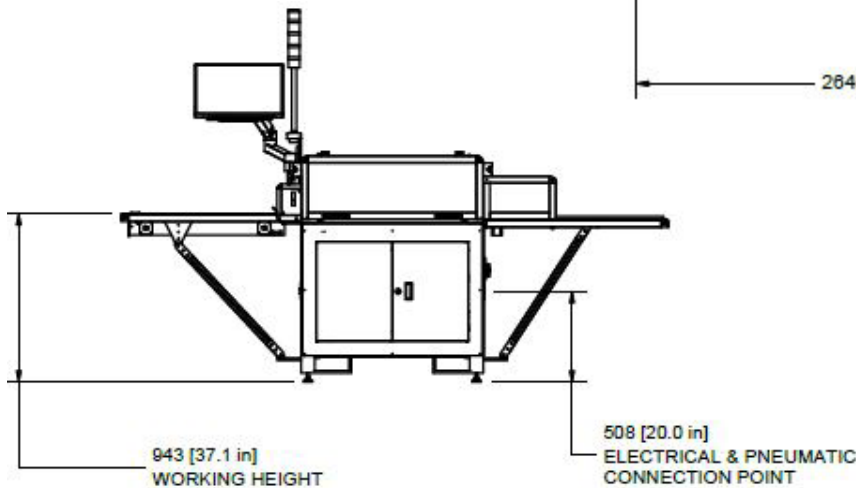


- RAMP RATE
- WELD HOLD TIME
- COOLING

## FRONT VIEW



## SIDE VIEW



## Machine Requirements

### Air Requirements

- 85 psi (6 bar) 15 SCFM (425 lpm)  
Air Hose: Minimum 3/8" (10mm) inside diameter

### Power Requirements

- 205-240VAC 11A 3 Phase 50/60Hz
- Power Cord: 4 conductor 3.3 mm, 2 gauge wire, machine grade

Visit us at:

